


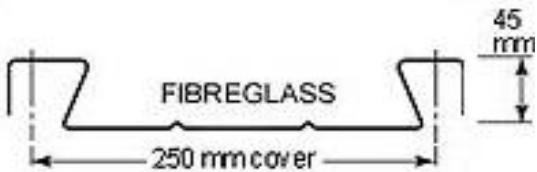





Fibreglass

EXTAL BUILDING PRODUCTS

ABN 27 138 079 857
 30 Peter Brock Drive
 Eastern Creek NSW 2766
 Phone 02 9672 4771 Fax 02 9672 4805

	<p>PRODUCT</p> <p>CORRUGATED</p> <p>Wonderglass</p> <p>Coolite</p>
	<p>PRODUCT</p> <p>Monoclad 5 RIB Trimdek</p> <p>Wonderglass</p> <p>Coolite</p>
	<p>PRODUCT</p> <p>Longspan - Spandek</p> <p>Wonderglass</p> <p>Coolite</p>
	<p>PRODUCT</p> <p>Flatdek</p> <p>Wonderglass</p>
	<p>PRODUCT</p> <p>Wonderglass SunSet</p>